

150 AGK series

Φ172X51mm



●General Specification / 一般規格

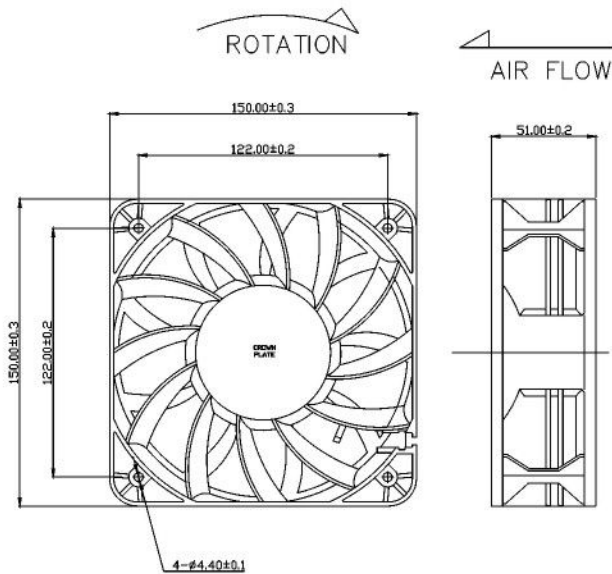
- Motor / DC brushless motor
- Material / Frame : plastic(94V-0)
- Impeller : plastic(94V-0)
- Bearing / Ball bearing
- Weight / 660.6g
- 馬達 / 直流單向無刷馬達
- 材質 / 框：鋁合金壓鑄
- 葉：塑膠(94V-0)
- 軸承 / 滾珠軸承
- 重量 / 660.6克



●Specification / 詳細規格 *軸承/bearing B: 雙滾珠/ball bearing F:FMB S: 含油承軸/sleeve bearing

Model	Bearing	Voltage	Operating Vol.	Current	Speed	Max. Air Flow		Max. Static Pressure		Sound	Weight
機型	軸承	電壓	操作電壓	電流	轉速	最大風量		最大風壓		噪音	重量
P/N	B/S/F	V	V	A	RPM	m ³ /min	CFM	mm-H ₂ O	In-H ₂ O	dBA	g
AGK15051*24J	B	24	12.0~26.4	0.72	2000	5.57	196.53	7.78	0.31	45.38	660.6
AGK15051*24M	B	24	12.0~26.4	0.98	2400	7.01	247.65	11.89	0.47	50.56	660.6
AGK15051*24H	B	24	12.0~26.4	1.28	2800	8.38	295.93	16.38	0.64	54.26	660.6
AGK15051*24U	B	24	12.0~26.4	1.67	3400	10.08	355.91	22.88	0.90	58.99	660.6
AGK15051*24L	B	24	12.0~26.4	1.70	3700	10.93	386.08	25.04	0.99	61.31	660.6

● Drawing & panel out-cuts/ 圖面及出入風口



● Characteristic Curves/ 特性曲線

