

92

AGC series

92X92X25mm

●General Specification / 一般規格

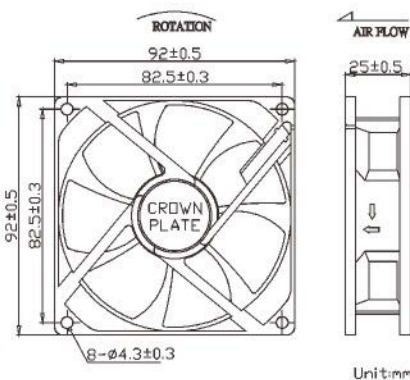
- Motor / DC brushless motor
- Material / Frame : plastic(94V-0)
Impeller : plastic(94V-0)
- Bearing / Ball bearing;FMB
- Weight / 89g
- 馬達 / 直流單向無刷馬達
- 材質 / 框：塑膠(94V-0)
葉：塑膠(94V-0)
- 軸承 / 滾珠軸承;FMB
- 重量 / 89克



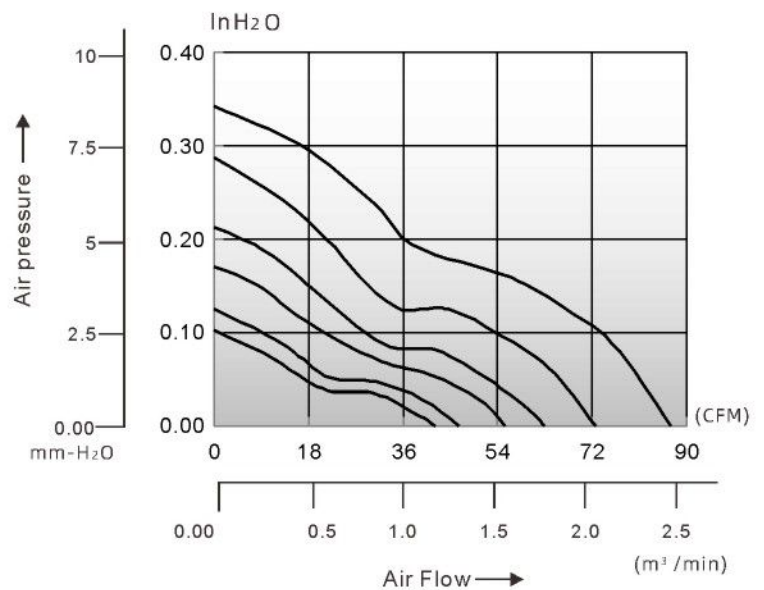
●Specification / 詳細規格 *軸承/bearing B:雙滾珠/ball bearing F:FMB S:含油軸承/sleeve bearing

Model	Bearing	Voltage	Operating Vol.	Current	Speed	Max. Air Flow		Max. Static Pressure		Sound	Weight
機型	軸承	電壓	操作電壓	電流	轉速	最大風量		最大風壓		噪音	重量
P/N	B/S/F	V	V	A	RPM	m ³ /min	CFM	mm-H ₂ O	In-H ₂ O	dBA	g
AGC09225*12J	B/F	12	6.0~13.2	0.07	2100	1.20	42.21	2.60	0.10	24.91	89
AGC09225*12L	B/F	12	6.0~13.2	0.09	2450	1.32	46.54	3.19	0.13	26.01	89
AGC09225*12M	B/F	12	6.0~13.2	0.11	2850	1.57	55.52	4.33	0.17	30.86	89
AGC09225*12H	B/F	12	6.0~13.2	0.17	3200	1.78	63.02	5.42	0.21	34.33	89
AGC09225*12U	B/F	12	6.0~13.2	0.30	3800	2.06	72.81	7.30	0.29	38.61	89
AGC09225*12V	B/F	12	6.0~13.2	0.44	4500	2.47	87.09	8.71	0.34	43.22	89
AGC09225*24J	B/F	24	12.0~26.4	0.07	2100	1.20	42.21	2.60	0.10	24.91	89
AGC09225*24L	B/F	24	12.0~26.4	0.08	2450	1.32	46.54	3.19	0.13	26.01	89
AGC09225*24M	B/F	24	12.0~26.4	0.07	2850	1.57	55.52	4.33	0.17	30.86	89
AGC09225*24H	B/F	24	12.0~26.4	0.14	3200	1.78	63.02	5.42	0.21	34.33	89
AGC09225*24U	B/F	24	12.0~26.4	0.23	3800	2.06	72.81	7.30	0.29	38.61	89
AGC09225*48J	B/F	48	24.0~52.8	0.06	2100	2.47	87.09	8.71	0.34	43.22	89
AGC09225*48L	B/F	48	24.0~52.8	0.07	2450	1.32	46.54	3.19	0.13	26.01	89
AGC09225*48M	B/F	48	24.0~52.8	0.08	2850	1.57	55.52	4.33	0.17	30.86	89
AGC09225*48H	B/F	48	24.0~52.8	0.09	3200	1.78	63.02	5.42	0.21	34.33	89
AGC09225*48U	B/F	48	24.0~52.8	0.11	3800	2.06	72.81	7.30	0.29	38.61	89

● Drawing & panel out-cuts/ 圖面及出入風口



● Characteristic Curves/ 特性曲線



Specification is subject to change for improvement without notice / 基於改良的規格變更, 不另行通知