

30

AGE series

30X30X10mm

●General Specification / 一般規格

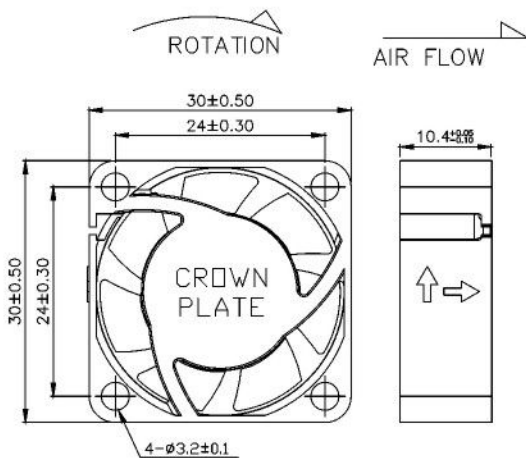
- Motor / DC brushless motor
- Material / Frame : plastic(94V-0)
Impeller : plastic(94V-0)
- Bearing / Ball bearing; Sleeve
- Weight / 11g
- 馬達 / 直流單向無刷馬達
- 材質 / 框：塑膠(94V-0)
葉：塑膠(94V-0)
- 軸承 / 滾珠軸承/含油軸承
- 重量 / 11克



●Specification / 詳細規格 * 軸承/bearing B: 雙滾珠/ball bearing F:FMB S: 含油軸承/sleeve bearing

Model	Bearing	Voltage	Operating Vol.	Current	Speed	Max. Air Flow	Max. Static Pressure	Sound	Weight		
機型	軸承	電壓	操作電壓	電流	轉速	最大風量	最大風壓	噪音	重量		
P/N	B/S/F	V	V	A	RPM	m ³ /min	CFM	mm-H ₂ O	In-H ₂ O	dBA	g
AGE03010*05L	B/F	5	4.5~5.5	0.17	6000	0.08	2.97	2.15	0.08	19.32	10
AGE03010*05M	B/F	5	3.0~5.5	0.19	7500	0.11	3.91	3.52	0.14	20.78	10
AGE03010*05H	B/F	5	3.0~5.5	0.28	9000	0.13	4.70	5.83	0.23	24.64	10
AGE03010*05U	B/F	5	3.0~5.5	0.37	11000	0.14	4.96	7.69	0.30	29.13	10
AGE03010*12L	B/F	12	6.0~13.2	0.06	6000	0.08	2.97	2.15	0.08	19.32	10
AGE03010*12M	B/F	12	6.0~13.2	0.08	7500	0.11	3.91	3.52	0.14	20.78	10
AGE03010*12H	B/F	12	6.0~13.2	0.12	9000	0.13	4.70	5.83	0.23	24.64	10
AGE03010*12U	B/F	12	6.0~13.2	0.19	11000	0.14	4.96	7.69	0.30	29.13	10

● Drawing & panel out-cuts/ 圖面及出入風口



● Characteristic Curves/ 特性曲線

