

80

AGE series

80X80X25mm

●General Specification / 一般規格

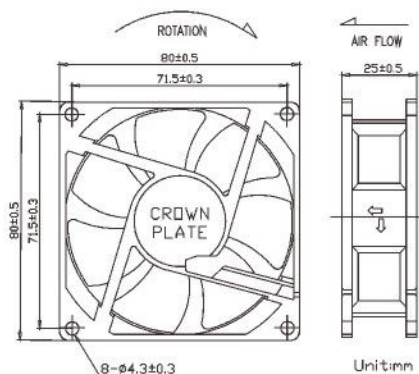
- Motor / DC brushless motor
- Material / Frame : plastic(94V-0)
Impeller : plastic(94V-0)
- Bearing / Ball bearing;FMB;sleeve bearing
- Weight / 80g
- 馬達 / 直流單向無刷馬達
- 材質 / 框：塑膠(94V-0)
葉：塑膠(94V-0)
- 軸承 / 滾珠軸承;FMB;含油軸承
- 重量 / 80克



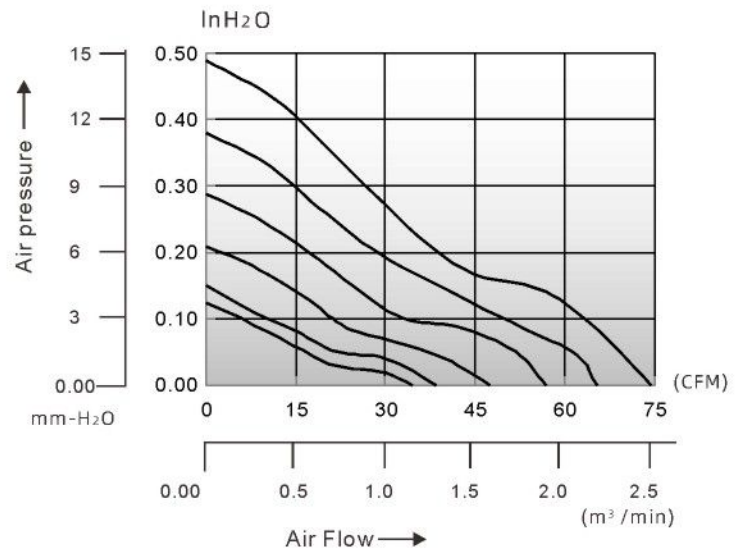
●Specification / 詳細規格 * 軸承/bearing B: 雙滾珠/ball bearing F:FMB S: 含油軸承/sleeve bearing

Model 機型	Bearing 軸承	Voltage 電壓	Operating Vol. 操作電壓	Current 電流	Speed 轉速	Max. Air Flow 最大風量	Max. Static Pressure 最大風壓	Sound 噪音	Weight 重量
P/N	B/S/F	V	V	A	RPM	m ³ /min CFM	mm-H ₂ O In-H ₂ O	dBA	g
AGE08025*05U	B / F / S	5	3.0~5.5	0.26	2700	0.98 34.6	3.15 0.12	25.21	80
AGE08025*12J	B / F / S	12	6.0~13.2	0.10	2700	0.98 34.6	3.15 0.12	25.21	80
AGE08025*12L	B / F / S	12	6.0~13.2	0.17	3000	1.09 38.56	3.83 0.15	28.10	80
AGE08025*12M	B / F / S	12	6.0~13.2	0.23	3600	1.35 47.5	5.29 0.21	32.13	80
AGE08025*12H	B / F / S	12	6.0~13.2	0.41	4300	1.61 56.79	7.33 0.29	37.86	80
AGE08025*12U	B / F / S	12	6.0~13.2	0.55	5000	1.85 65.48	9.65 0.38	41.89	80
AGE08025*12V	B / F / S	12	6.0~13.2	0.63	5700	2.11 74.57	12.44 0.49	45.31	80
AGE08025*24J	B / F / S	24	12.0~26.4	0.04	2700	0.98 34.6	3.15 0.12	25.21	80
AGE08025*24L	B / F / S	24	12.0~26.4	0.09	3000	1.09 38.56	3.83 0.15	28.10	80
AGE08025*24M	B / F / S	24	12.0~26.4	0.14	3600	1.35 47.5	5.29 0.21	32.13	80
AGE08025*24H	B / F / S	24	12.0~26.4	0.21	4300	1.61 56.79	7.33 0.29	37.86	80
AGE08025*24U	B	24	12.0~26.4	0.25	5000	1.85 65.48	9.65 0.38	41.89	80
AGE08025*48M	B / F / S	48	24.0~52.8	0.06	3000	1.09 38.56	3.83 0.15	28.10	80
AGE08025*48H	B / F / S	48	24.0~52.8	0.09	3600	1.35 47.5	5.29 0.21	32.13	80
AGE08025*48U	B / F / S	48	24.0~52.8	0.14	4300	1.61 56.79	7.33 0.29	37.86	80
AGE08025*48V	B	48	24.0~52.8	0.21	5000	1.85 65.48	9.65 0.38	41.89	80

● Drawing & panel out-cuts/ 圖面及出入風口



● Characteristic Curves/ 特性曲線



Specification is subject to change for improvement without notice / 基於改良的規格變更，不另行通知