

120 AGE series

120X120X38mm



●General Specification / 一般規格

- Motor / DC brushless motor
- Material / Frame : plastic(94V-0)
Impeller : plastic(94V-0)
- Bearing / Ball bearing;sleeve bearing
- Weight / 260g

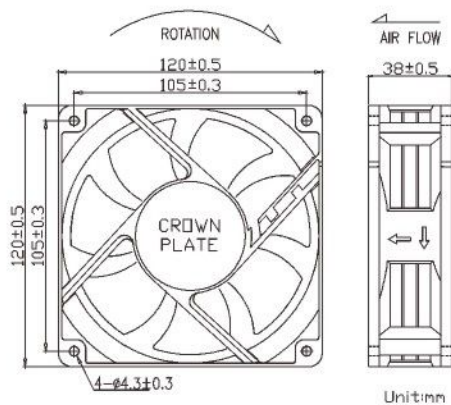
- 馬達 / 直流單向無刷馬達
- 材質 / 框：塑膠(94V-0)
葉：塑膠(94V-0)
- 軸承 / 滾珠軸承；含油軸承
- 重量 / 260克



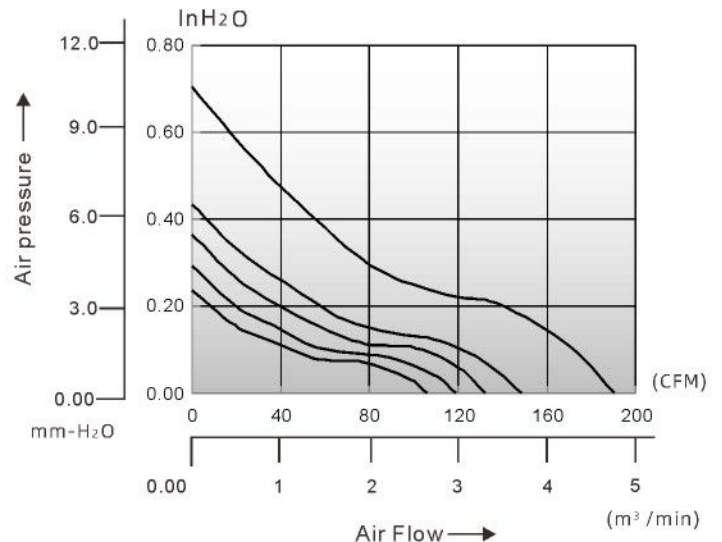
●Specification / 詳細規格 *軸承/bearing B: 雙滾珠/ball bearing F:FMB S: 含油承軸/sleeve bearing

| Model | Bearing | Voltage | Operating Vol. | Current | Speed | Max. Air Flow | | Max. Static Pressure | | Sound | Weight |
|--------------|---------|---------|----------------|---------|-------|---------------------|--------|----------------------|---------------------|-------|--------|
| 機型 | 軸承 | 電壓 | 操作電壓 | 電流 | 轉速 | 最大風量 | | 最大風壓 | | 噪音 | 重量 |
| P/N | B/S/F | V | V | A | RPM | m ³ /min | CFM | mm-H ₂ O | In-H ₂ O | dB(A) | g |
| AGE12038*12M | B | 12 | 6.0~13.2 | 0.33 | 2300 | 3.00 | 105.81 | 6.01 | 0.24 | 39.31 | 260 |
| AGE12038*12H | B | 12 | 6.0~13.2 | 0.45 | 2600 | 3.38 | 119.19 | 7.43 | 0.29 | 42.50 | 260 |
| AGE12038*12U | B | 12 | 6.0~13.2 | 0.73 | 2900 | 3.73 | 131.85 | 9.26 | 0.36 | 45.73 | 260 |
| AGE12038*12V | B | 12 | 6.0~13.2 | 0.75 | 3200 | 4.21 | 148.68 | 11.01 | 0.43 | 48.37 | 260 |
| AGE12038*12W | B | 12 | 6.0~13.2 | 1.53 | 4200 | 5.40 | 190.5 | 17.88 | 0.70 | 54.44 | 260 |
| AGE12038*24L | B | 24 | 12.0~26.4 | 0.13 | 2300 | 3.00 | 105.81 | 6.01 | 0.24 | 39.31 | 260 |
| AGE12038*24M | B | 24 | 12.0~26.4 | 0.22 | 2600 | 3.38 | 119.19 | 7.43 | 0.29 | 42.50 | 260 |
| AGE12038*24H | B | 24 | 12.0~26.4 | 0.32 | 2900 | 3.73 | 131.85 | 9.26 | 0.36 | 45.73 | 260 |
| AGE12038*24U | B | 24 | 12.0~26.4 | 0.44 | 3200 | 4.21 | 148.68 | 11.01 | 0.43 | 48.37 | 260 |
| AGE12038*24V | B | 24 | 12.0~26.4 | 0.67 | 4200 | 5.40 | 190.5 | 17.88 | 0.70 | 54.44 | 260 |
| AGE12038*48I | B | 48 | 24.0~52.8 | 0.10 | 2300 | 3.00 | 105.81 | 6.01 | 0.24 | 39.31 | 260 |
| AGE12038*48J | B | 48 | 24.0~52.8 | 0.13 | 2600 | 3.38 | 119.19 | 7.43 | 0.29 | 42.50 | 260 |
| AGE12038*48L | B | 48 | 24.0~52.8 | 0.21 | 2900 | 3.73 | 131.85 | 9.26 | 0.36 | 45.73 | 260 |
| AGE12038*48M | B | 48 | 24.0~52.8 | 0.22 | 3200 | 4.21 | 148.68 | 11.01 | 0.43 | 48.37 | 260 |
| AGE12038*48H | B | 48 | 24.0~52.8 | 0.45 | 4200 | 5.40 | 190.5 | 17.88 | 0.70 | 54.44 | 260 |

● Drawing & panel out-cuts/ 圖面及出入風口



● Characteristic Curves/ 特性曲線



Specification is subject to change for improvement without notice / 基於改良的規格變更，不另行通知