

80

AGJ series

80X80X38mm

● General Specification / 一般規格

- Motor / DC brushless motor
- Material / Frame : plastic(94V-0)
- Impeller : plastic(94V-0)
- Bearing / Ball bearing
- Weight / 210g
- 馬達 / 直流單向無刷馬達
- 材質 / 框 : 塑膠 (94V-0)
- 葉 : 塑膠 (94V-0)
- 軸承 / 滾珠軸承
- 重量 / 210 克

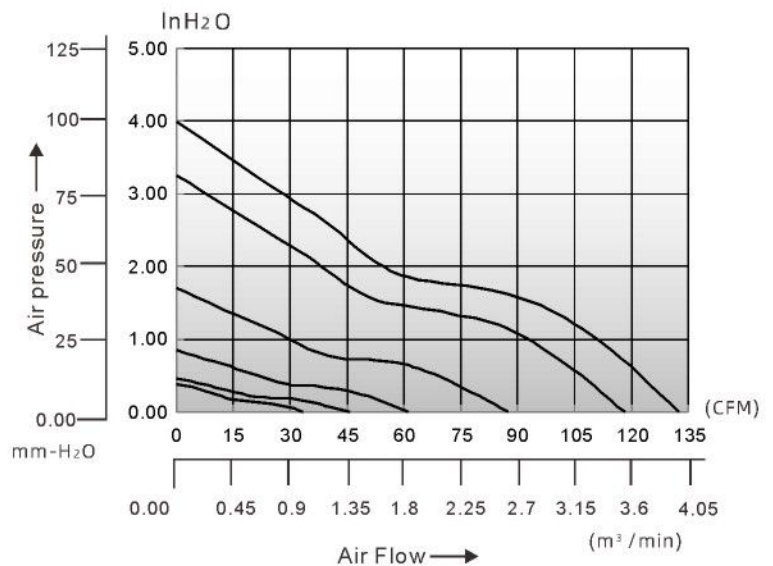
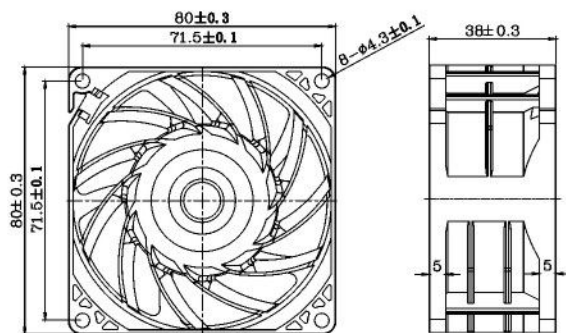


● Specification / 詳細規格 * 軸承/bearing B: 雙滾珠/ball bearing F:FMB S: 含油承軸/sleeve bearing

Model	Bearing	Voltage	Operating Vol.	Current	Speed	Max. Air Flow		Max. Static Pressure		Sound	Weight
機型	軸承	電壓	操作電壓	電流	轉速	最大風量		最大風壓		噪音	重量
P/N	B/S/F	V	V	A	RPM	m ³ /min	CFM	mm-H ₂ O	In-H ₂ O	dBA	g
AGJ08038*12L	B	12	6.0~13.2	0.29	4000	0.95	33.43	9.88	0.39	34.87	230
AGJ08038*12M	B	12	6.0~13.2	0.35	5000	1.29	45.69	11.87	0.47	45.34	230
AGJ08038*12H	B	12	6.0~13.2	0.45	7000	1.73	61.23	21.60	0.85	52.53	230
AGJ08038*12U	B	12	6.0~13.2	0.94	10000	2.48	87.45	43.34	1.71	61.10	230
AGJ08038*12V	B	12	6.0~13.2	2.42	13000	3.35	118.34	82.72	3.26	68.83	230
AGJ08038*24M	B	24	12.0~26.4	0.23	5000	1.29	45.69	11.87	0.47	45.34	230
AGJ08038*24H	B	24	12.0~26.4	0.33	7000	1.73	61.23	21.60	0.85	52.53	230
AGJ08038*24U	B	24	12.0~26.4	0.72	10000	2.48	87.45	43.34	1.71	61.10	230
AGJ08038*24V	B	24	12.0~26.4	1.21	13000	3.35	118.34	82.72	3.26	68.83	230
AGJ08038*24W	B	24	12.0~26.4	1.65	15000	3.75	132.58	101.53	4.00	70.90	230
AGJ08038*48M	B	48	24.0~52.8	0.19	5000	1.29	45.69	11.87	0.47	45.34	230
AGJ08038*48H	B	48	24.0~52.8	0.22	7000	1.73	61.23	21.60	0.85	52.53	230
AGJ08038*48U	B	48	24.0~52.8	0.39	10000	2.48	87.45	43.34	1.71	61.10	230
AGJ08038*48V	B	48	24.0~52.8	0.61	13000	3.35	118.34	82.72	3.26	68.83	230
AGJ08038*48W	B	48	24.0~52.8	0.99	15000	3.75	132.58	101.53	4.00	70.90	230

● Drawing & panel out-cuts/ 圖面及出入風口

● Characteristic Curves/ 特性曲線



Specification is subject to change for improvement without notice / 基於改良的規格變更, 不另行通知