

150 AGE series

150X172X51mm



●General Specification / 一般規格

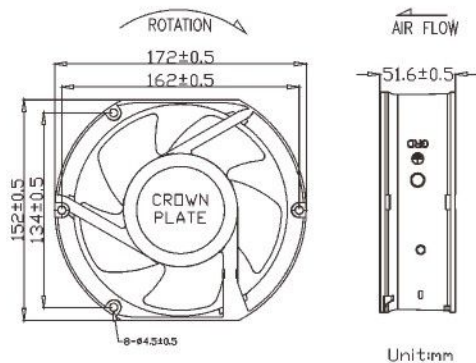
- Motor / DC brushless motor
- Material / Frame : plastic(94V-0)
- Impeller : plastic(94V-0)
- Bearing / Ball bearing
- Weight / 610g
- 馬達 / 直流單向無刷馬達
- 材質 / 框：鋁合金壓鑄
- 葉：塑膠(94V-0)
- 軸承 / 滾珠軸承
- 重量 / 610克



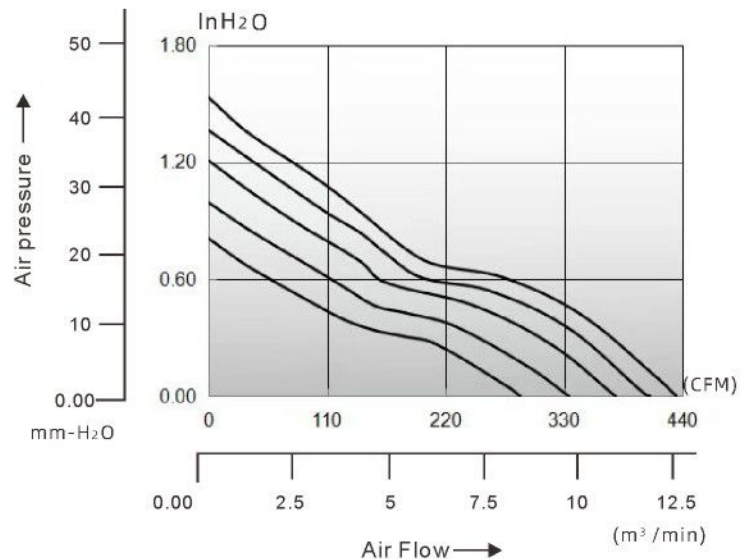
●Specification / 詳細規格 * 軸承/bearing B: 雙滾珠/ball bearing F:FMB S: 含油承軸/sleeve bearing

Model	Bearing	Voltage	Operating Vol.	Current	Speed	Max. Air Flow		Max. Static Pressure		Sound	Weight
機型	軸承	電壓	操作電壓	電流	轉速	最大風量		最大風壓		噪音	重量
P/N	B/S/F	V	V	A	RPM	m ³ /min	CFM	mm-H ₂ O	In-H ₂ O	dBA	g
AGE15051*24J	B	24	12.0~26.4	0.75	3500	8.19	289.31	20.54	0.81	55.60	657
AGE15051*24L	B	24	12.0~26.4	1.10	4000	9.48	334.6	25.21	0.99	57.80	657
AGE15051*24M	B	24	12.0~26.4	1.40	4400	10.70	377.71	30.68	1.21	61.10	657
AGE15051*24H	B	24	12.0~26.4	1.70	4800	11.60	409.67	34.63	1.36	63.36	657
AGE15051*24U	B	24	12.0~26.4	2.10	5200	12.30	434.39	38.90	1.53	65.15	657
AGE15051*48J	B	48	24.0~52.8	0.34	3500	8.19	289.31	20.54	0.81	55.60	657
AGE15051*48L	B	48	24.0~52.8	0.52	4000	9.48	334.6	25.21	0.99	57.80	657
AGE15051*48M	B	48	24.0~52.8	0.70	4400	10.70	377.71	30.68	1.21	61.10	657
AGE15051*48H	B	48	24.0~52.8	0.88	4800	11.60	409.67	34.63	1.36	63.36	657
AGE15051*48U	B	48	24.0~52.8	1.13	5200	12.30	434.39	38.90	1.53	65.15	657

● Drawing & panel out-cuts/ 圖面及出入風口



● Characteristic Curves/ 特性曲線



Specification is subject to change for improvement without notice / 基於改良的規格變更，不另行通知